



CINETICA AXIS 360

AXIS 360 - Heavy Duty Swivel

The Cinetica AXIS 360 is a heavy-duty swivel with a maximum payload of 500kg. It is very smooth-running and absolutely backlash-free, and thanks to its particularly high-quality bearing technology, it stays that way. In line with the demand for zero play, it is equipped with a flatbase mount on both sides to guarantee an equally good connection.

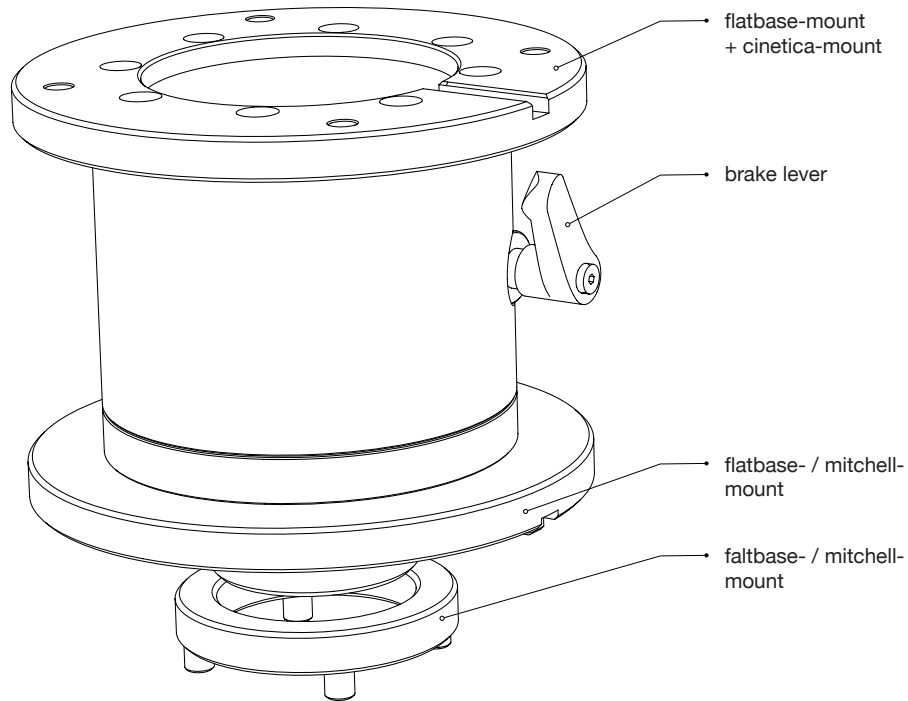
Equipped with a classic toggle brake, the position is infinitely variable.

The AXIS 360 is the ideal swivel joint for the Cinetica NU.TRON, but is just as suitable for any setup that requires a swivel joint. The high payload allows setups with SLIDERS, jibs as well as with lightweight cranes.

Cinetica AXIS 360 is a classic swivel for universal use and with its durability a good investment for the equipment of every grip department.

If you want to set up with a Euro Mount, we can provide you with the corresponding adapter on request.

The combination of the RISER with the Cinetica BASE makes it the best possible substructure for the Cinetica NU.TRON. Nevertheless it can also be used for any application that requires a solid column.



Specific Functions

- maximum mechanical resilience
- Payload up to 500 kg / 1100 lbs
- smooth running / low vibration
- Flat Base (Mitchell) -Mount

Technical Specifications

- Maximum payload: 500 kg / 1100 lbs
- Height: 145 mm /
- Adapter / mount: Flat Base (Mitchell)
- Overall diameter: 190mm /
- *Adaptor to Euro-Mount available*

